

KOBELCO

SK16 MINI EXCAVATOR

SK16



We Save You Fuel
Achieving a Low-Carbon Society

DO FULL-SIZED JOBS WITH A COMPACT MACHINE



Mini excavators are increasingly popular for work in confined spaces such as residential areas and buildings. But smallness alone doesn't satisfy users who also demand greater stability and first-rate operating performance. The KOBELCO SK16 mini excavator answers these needs with a high-output engine that provides plenty of power for tough, efficient operation. It also delivers excellent stability with superior weight distribution, a well-designed, comfortable cab equipped with an LCD monitor, and easy maintenance. These features make the SK16 mini excavator ideal for those who want powerful, basic functions and durable reliability. When you need to do a full-sized job with a compact machine, the SK16 is your answer.

COMFORT

Pleasant Work Environment

There is plenty of legroom, and the control lever, wrist rests, travel lever and control panel are all ergonomically positioned so that the operator can work for long hours without fatigue.

Comfortable Slide Seat

The slide seat can be adjusted to match the operator's size and posture.

Wrist Rest



Wrist rests on the each control lever box ensure fatigue-free operation.

Excellent Air Circulation

The SK16 has a forced-air heater that keeps the cab comfortable conditions.



Easy Access to Control Panel and Levers



Control panel



Travel high/low select switch and throttle lever

Amenities



Automatic ceiling light and optional radio with USB port



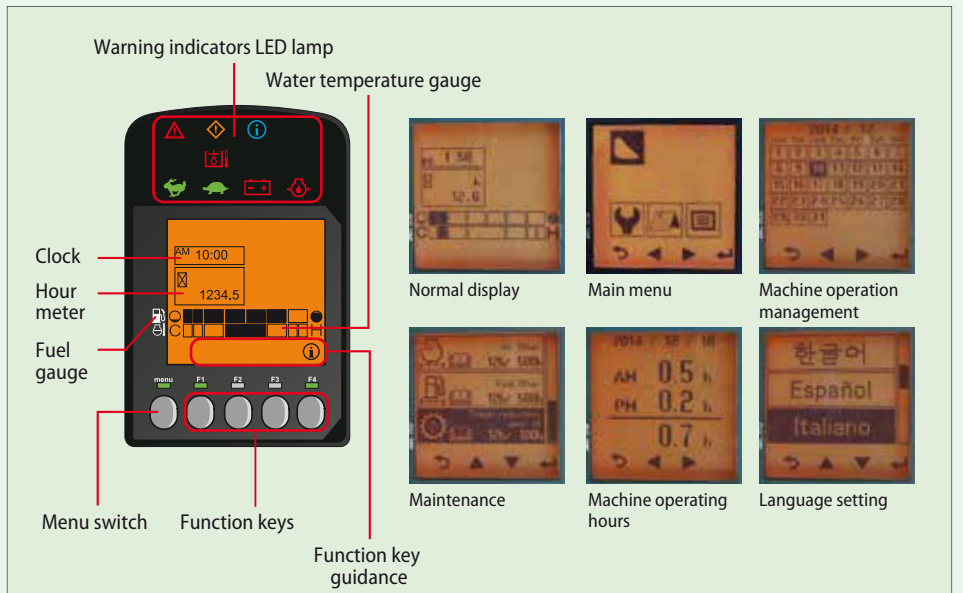
Storage compartment for manuals



Large cup holder

Backlit Liquid Crystal Monitor

The backlit liquid crystal monitor is provided as standard. Perfectly integrated into the right-hand console, the screen provides excellent visibility even in bright sunlight or at night, giving ready access to information concerning operation and machine status.



With its compact design, the SK16 delivers fast work performance even in limited spaces.

Reliable Swing Power, Faster Working Speed

Boosted swing power and a top-class swing speed deliver shorter cycle times.

Swing Speed: **10.0min⁻¹**

Powerful Digging

For more efficient work performance.

Max. Arm Crowding Force: **7.6kN**

Max. Bucket Digging Force: **13.7kN**

Powerful Travel

Travel Speed: **3.3/1.7km/h**

Powerful Engine (ISO 9249)

Power Output: **12.1kW/2,600min⁻¹**

Easy Transportability

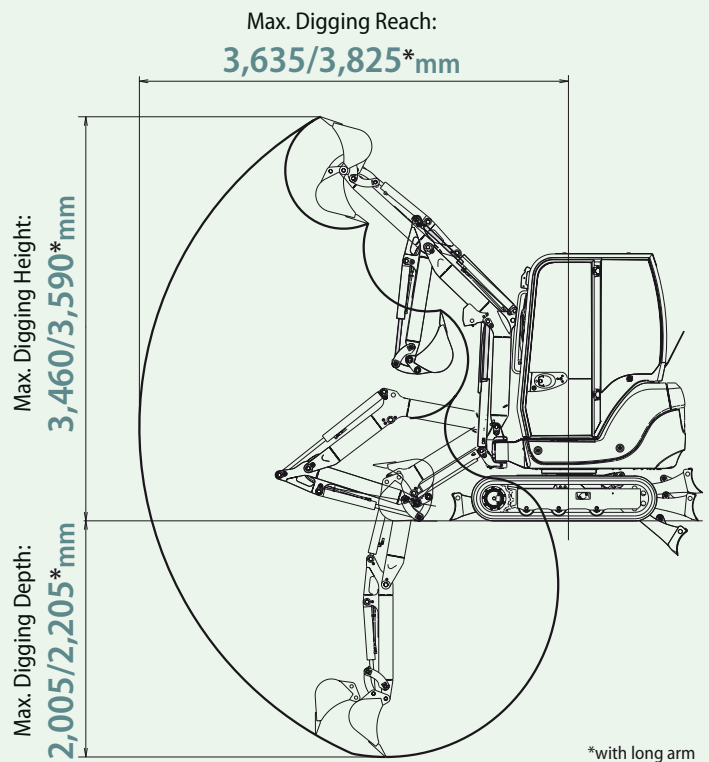
Weighing just 1,655 kg, the SK16 is easily transported on a 2.7-ton trailer with plenty of room to spare for the simultaneous transport of a bucket or other attachment.

Auxiliary Circuit for Hammer or Auger

A proportional-control auxiliary line accommodates many accessories such as a hammer or auger, with the oil flow rate optimized for each device.

Wide Working Range

The SK16 has plenty of working ranges.



Compact Swing Radius

The SK16 has a very small swing radius that ensures easy access and efficient operation on sites where space is limited. The compact design keeps power, productivity and stability that allow you to work with confidence.



Exceptional Stability and Lifting Strength

A wide counterweight and excellent weight distribution provide the SK16 with impressive stability and exceptional lifting capacities.

Lifting Capacity: **465kg** at **2.0m**

(ground level)



RELIABILITY

Reliable Construction

The SK16's tough durability makes it ideal for working in tight spaces and keeps repair costs down.

Cylinder Rod Guard

The cylinder rod guard is fitted as standard for boom cylinder.



LED Work Light

The LED work light is mounted under the boom to protect it from damage.



Dozer

Dozer cylinder rod guard protects dozer cylinder from damage.



SAFETY

Operator Safety

The SK16 has a full range of safety features that help prevent or reduce the severity of onsite accidents.

Reliable Cab/Canopy Structure

The high-strength cab/canopy meets FOPS 1 and TOPS standards for greater operator safety.



Optimum Visibility

The SK16 is equipped with 3 rear and side view mirrors. The operator can control the work area as well as the area around machine.



Safety Lock Lever

The safety lock lever permits entry and exit only when the levers are disengaged to prevent accidental operation.



Three LED Cab Lights (Optional)

Three LED cab lights can be fitted as option to provide a clear view during nighttime operations. The LED provides a powerful light while reducing energy consumption.



Hammer for emergency exit

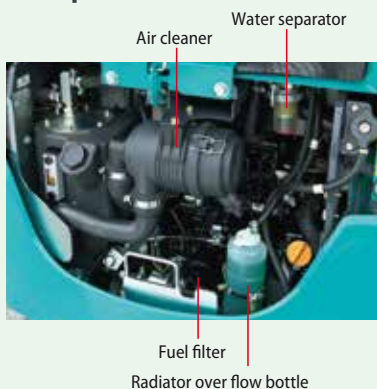


MAINTENANCE

Easy Maintenance

The engine hood opens fully and components that require the most frequent checks are positioned for easy access, thereby reducing maintenance time.

Easy Access to Engine Compartment



Right Side



Fuel tank

Under the Operator's Seat

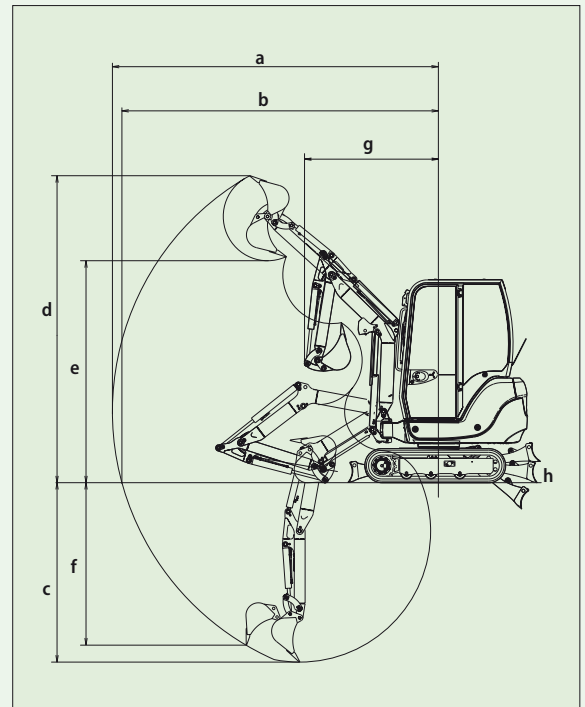


•Generator •Starter motor

Specifications

GENERAL			
MODEL		SK16	
Type		SK16	
PERFORMANCE			
Shoe Type		Rubber	
Bucket Capacity		m ³ 0.05	
Travel Speed (high/low)		km/h 3.3/1.7	
Swing Speed		min ⁻¹ {rpm} 10.0	
Gradeability		% (degree) 47 (30)	
Traction Force		kN 15.3	
Bucket Digging Force		kN 13.7	
Arm Crowding Force		kN 7.6	
WEIGHT			
Machine Mass	Cab	kg	1,655
	Canopy	kg	1,515
Ground Pressure	Cab	kPa	25.5
	Canopy	kPa	24.5
ENGINE			
Model		YANMAR 3TNV70-XBVA2	
Type		Water cooled	
Power Output NET	(ISO9249)	kW/min ⁻¹ {rpm}	12.1/2,600
	(ISO14396)	kW/min ⁻¹ {rpm}	12.5/2,600
Max. Torque NET	(ISO9249)	N-m/min ⁻¹ {rpm}	50.9/1,800
Displacement		L 0.854	
Fuel Tank		L 24.5	
HYDRAULIC SYSTEM			
Pump		Fixed displacement	
Max. Discharge Flow		L/min	34
Relief Valve Setting		MPa	17.6
Hydraulic Oil Tank (system)		L	20 (28.5)
DOZER BLADE			
Width x Height		mm	980 x 230
Working Ranges (height/depth)		mm	240/300
SIDE DIGGING MECHANISM			
Type		Boom swing	
Offset Angle	To the left	degree	41
	To the right	degree	77

Working Ranges



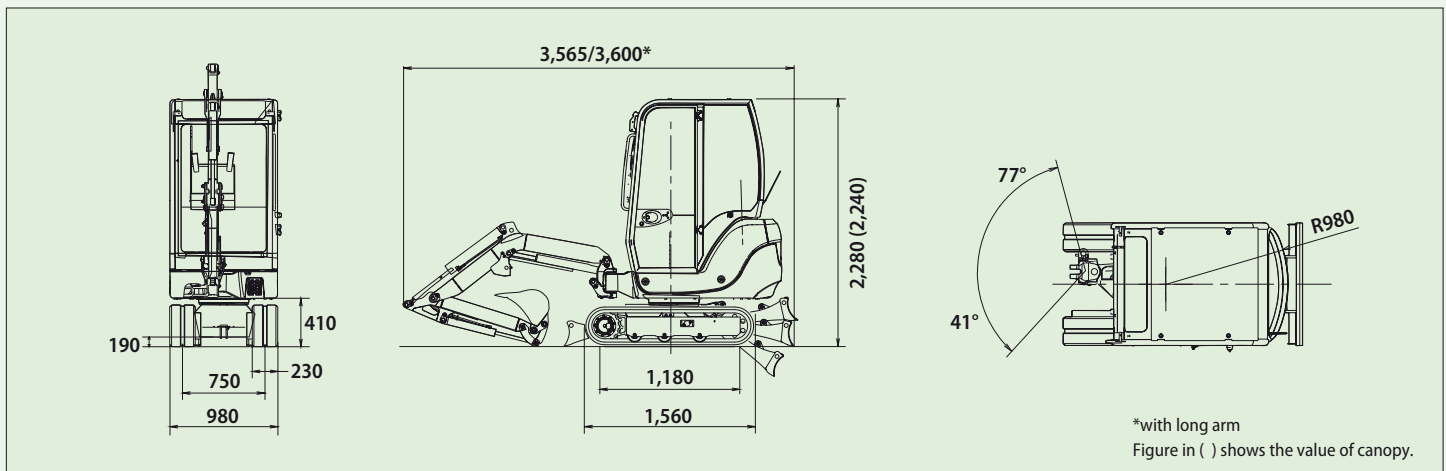
Unit: mm

MODEL	SK16
a- Max. digging reach	3,635 (3,825)
b- Max. digging reach at ground level	3,530 (3,725)
c- Max. digging depth	2,005 (2,205)
d- Max. digging height	3,460 (3,590)
e- Max. dumping clearance	2,440 (2,575)
f- Max. vertical wall digging depth	1,710 (1,920)
g- Min. swing radius	1,480 (1,520)
g- Min. swing radius at boom swing	1,290 (1,320)
h- Dozer blade (height/depth)	240/300

Figures in () show the value with long arm.

General Dimensions

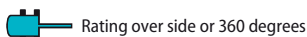
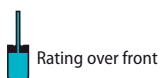
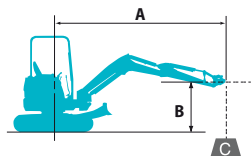
Unit: mm



*with long arm

Figure in () shows the value of canopy.

Lifting Capacities



A: Reach from swing centerline to arm top

B: Arm top height above/below ground

C: Lifting capacities in kilograms

Shoe: Rubber shoe

Dozer blade: Up

Relief valve setting: 17.6 MPa

CAB

SK16		Arm: Standard		Bucket: Without		Shoe: 230 mm				
		1.5 m		2.0 m		2.5 m		At Max. Reach		Radius
B	A									
2.5 m	kg							*320	*320	2.45 m
2.0 m	kg					*305	*305	*330	240	2.80 m
1.5 m	kg					*340	280	*340	215	3.02 m
1.0 m	kg			*485	370	300	270	270	200	3.12 m
0.5 m	kg			480	360	350	275	270	200	3.11 m
G. L.	kg	705	500	465	350	345	260	275	210	3.00 m
-0.5 m	kg	700	500	470	345	345	260	305	230	2.80 m
-1.0 m	kg	*755	540	530	350			*390	285	2.36 m

CAB

SK16		Arm: Long		Bucket: Without		Shoe: 230 mm						
		1.5 m		2.0 m		2.5 m		3.0 m		At Max. Reach		Radius
B	A											
2.5 m	kg									*250	*250	2.90 m
2.0 m	kg					*240	*240			*270	225	3.00 m
1.5 m	kg					*270	*255	*280	225	*290	200	3.20 m
1.0 m	kg	*620	*570	*410	*380	*320	280	*285	220	*280	190	3.35 m
0.5 m	kg	*745	565	*510	360	*370	265	*315	210	245	185	3.40 m
G. L.	kg	730	525	510	360	*425	270	*325	195	*305	193	3.30 m
-0.5 m	kg	730	530	500	360	365	265			*330	210	3.00 m
-1.0 m	kg	*760	565	*560	365					*335	250	2.80 m

CANOPY

SK16		Arm: Standard		Bucket: Without		Shoe: 230 mm				
		1.5 m		2.0 m		2.5 m		At Max. Reach		Radius
B	A									
2.5 m	kg							*305	230	2.45 m
2.0 m	kg					*290	230	*310	185	2.80 m
1.5 m	kg					*320	225	250	165	3.02 m
1.0 m	kg			*465	295	290	210	215	150	3.12 m
0.5 m	kg			390	280	285	215	215	155	3.11 m
G. L.	kg	570	395	380	275	280	205	220	165	3.00 m
-0.5 m	kg	570	405	380	275	280	200	245	180	2.80 m
-1.0 m	kg	625	455	390	280			305	230	2.36 m

CANOPY

SK16		Arm: Long		Bucket: Without		Shoe: 230 mm						
		1.5 m		2.0 m		2.5 m		3.0 m		At Max. Reach		Radius
B	A											
2.5 m	kg									*265	*245	2.90 m
2.0 m	kg					*240	*240			*270	190	3.00 m
1.5 m	kg					*270	*255	*280	190	230	165	3.20 m
1.0 m	kg	*620	*570	*410	*380	*320	235	*285	180	210	160	3.35 m
0.5 m	kg	*745	460	*510	295	*370	230	240	175	210	150	3.40 m
G. L.	kg	620	420	435	295	315	225	245	160	225	160	3.30 m
-0.5 m	kg	615	420	430	295	315	220			245	175	3.00 m
-1.0 m	kg	*760	460	440	300					285	210	2.80 m

Notes:

- Do not attempt to lift or hold any load that is greater than these lift capacities at their specified lift point radius and heights. Weight of all accessories must be deducted from the above lift capacities.
- Lift capacities are based on machine standing on level, firm, and uniform ground. User must make allowance for job conditions such as soft or uneven ground, out of level conditions, side loads, sudden stopping of loads, hazardous conditions, experience of personnel, etc.
- Arm top defined as lift point.

- The above lifting capacities are in compliance with ISO 10567. They do not exceed 87% of hydraulic lifting capacity or 75% of tipping load. Lifting capacities marked with an asterisk (*) are limited by hydraulic capacity rather than tipping load.
- Operator should be fully acquainted with the Operator's and Maintenance Instructions before operating this machine. Rules for safe operation of equipment should be adhered to at all times.
- Lift capacities apply to only machine as originally manufactured and normally equipped by KOBELCO CONSTRUCTION MACHINERY CO., LTD.

Note: This catalog may contain attachments and optional equipment that are not available in your area. And it may contain photographs of machines with specifications that differ from those of machines sold in your areas. Please consult your nearest KOBELCO distributor for those items you require. Due to our policy of continuous product improvements all designs and specifications are subject to change without advance notice.

Copyright by **KOBELCO CONSTRUCTION MACHINERY CO., LTD.** No part of this catalog may be reproduced in any manner without notice.

Kobelco Construction Machinery Europe B.V.

Veluwezoom 15
1327 AE Almere
The Netherlands
www.kobelco-europe.com

Inquiries To: